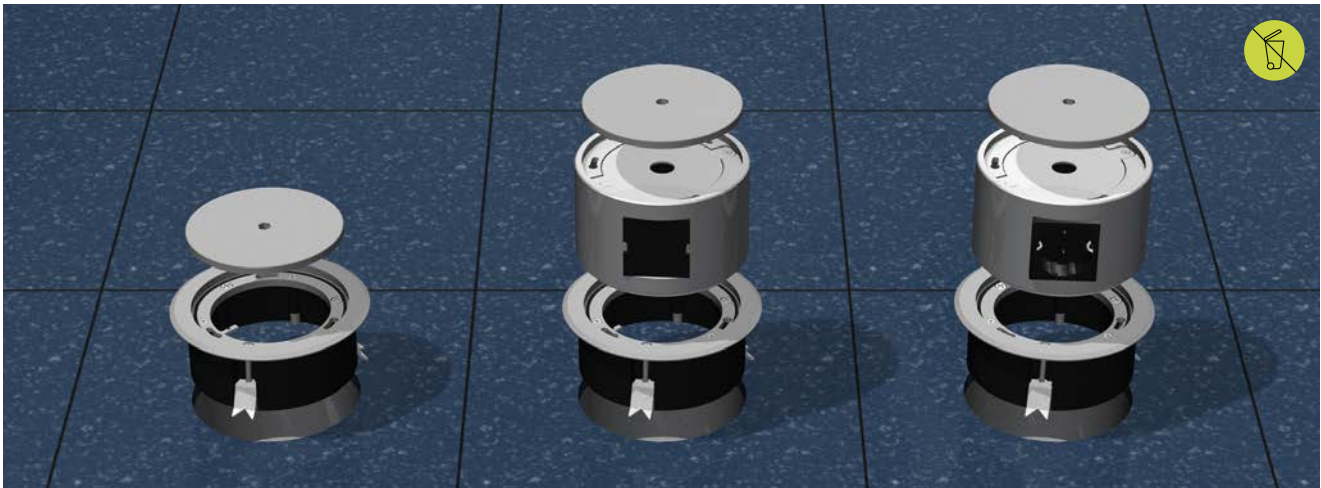


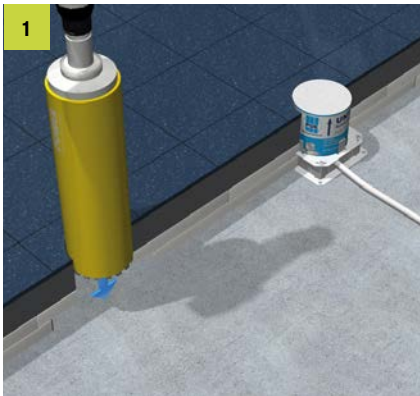
Single outlet BODO, wet maintenance floors

Assembly instruction



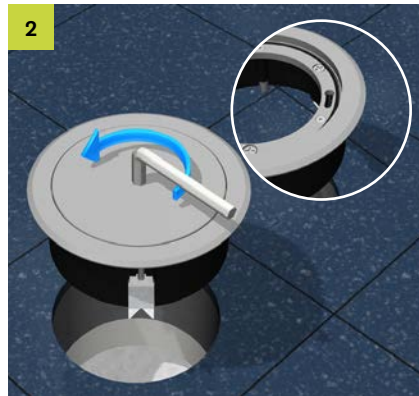


Service outlet, round, for raised floor levels up to 50 mm with a floor covering protection frame and a dummy cover made out of aluminium. Outside diameter = 140 mm. Two possible versions for completion with a tube: tube outlet for two installation devices 45 x 45 mm or a tube outlet pre-assembled. For screed or false floors by using claw fastener. Electrical and electronic equipment must not be disposed off via the household waste.



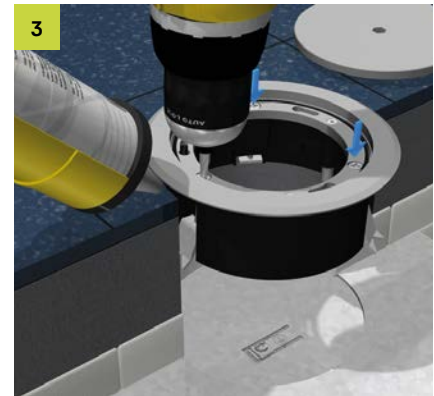
1 **Screed or false floors**

Create a floor opening in the screed or false floor through shuttering drill bit or using inserting a hollow space floor box with shuttering unit.



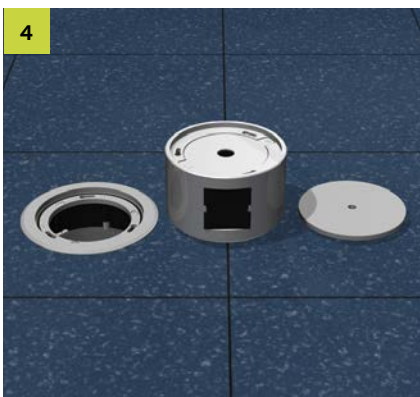
2 **Cover**

Open the cover with its bayonet fitting by using the delivered Allen key (anti-clockwise rotation).



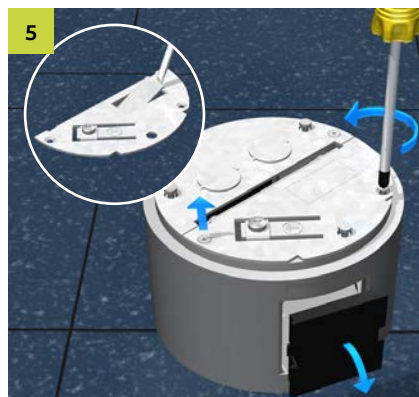
3 **Fix the floor covering protection frame**

For using the floor covering protection frame for wet maintenance floors, seal the frame. Tighten the claw fastener with a screw driver.



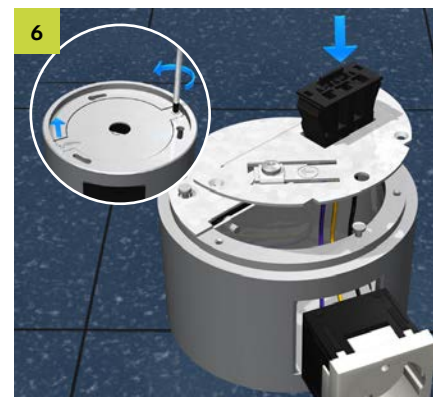
4 **Completion**

Optionally, complete BODO NA-L with tube outlet (BODO NAT). Fasten it with its bayonet fitting on the underside. If needed, add two installation devices (45 x 45 mm).



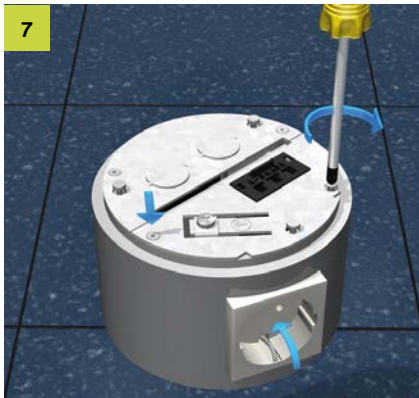
5 **Floor plate/perforation snap-in**

Screw off the floor plate and break the perforation out of the snap-in. Withdraw the cover plate (UAA-B 45) to insert an installation device (45 x 45 mm).



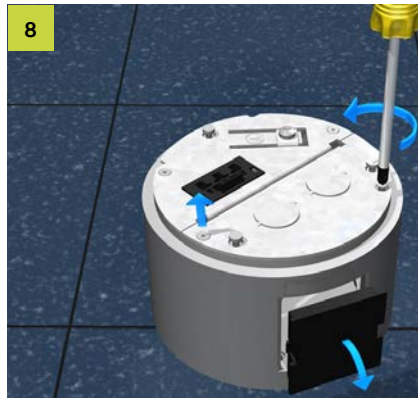
6 **Snap-In for installation technology**

For an easier assembly, withdraw the cover plate of the tube outlet. Connect the snap-in with the tube, insert it in the floor plate and snap the installation equipment sideways into the tube.



Assembly after light-current installation

After the complete installation, screw the floor plate or, if so, the cover plate with the tube outlet.



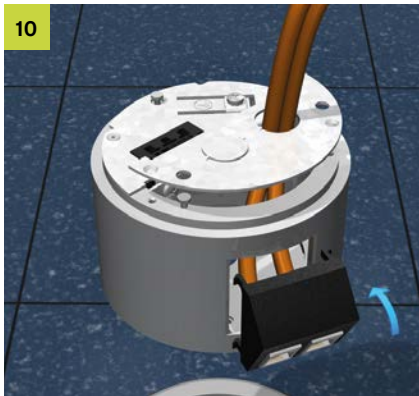
Floor plate/perforation cable

Screw the floor plate off and break the perforation out for data and power-current cables.



Connection

Withdraw the cover plate (UAA-B 45) to insert an installation device (45 x 45 mm).



Assembly after installing the data equipment

After installing the data equipment, insert the floor plate again and snap the data equipment sideways into the tube.



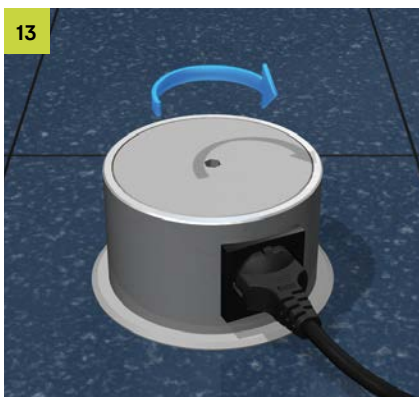
Connecting cables

Insert the plug of the 3-pole connecting cable in the snap-in of the floor plate.



Plug connector

The pre-assembled version has a black grounded contact socket, pre-fabricated with a snap-in and an empty data space (45 x 45 mm).



Equipment

Connect all components with each other by using the bayonet fitting and insert the light-current/power-current equipment.

All rights reserved. Reprinting and any electronic reproduction only authorised with our written permission. Errors and technical changes reserved. No liability can be accepted by the publisher on any legal basis whatsoever. This publication supersedes all previous versions of the document, thereby rendering them invalid.

© PohlCon | PC-LIT-MA-BODO-NA-EN | 10-2023 | 4. v. | 10-2023

PohlCon GmbH

Nobelstr. 51
12057 Berlin
Germany

T +49 30 68283-04
F +49 30 68283-383

www.pohlcon.com